

---

## VCOM Trimster™ AVT100 LCD Panel Calibrator With Programmable VCOM

---

### FEATURES

- Programmable LCD Panel  $V_{COM}$  reference.
- High Precision: 1mVolt Programming Resolution
- Absolute Voltage Programming
  - Eliminates variation due to AVDD variation panel to panel
  - Ground referenced output voltages
- Simple Programming Interface Using the Alta AP100 Programmer

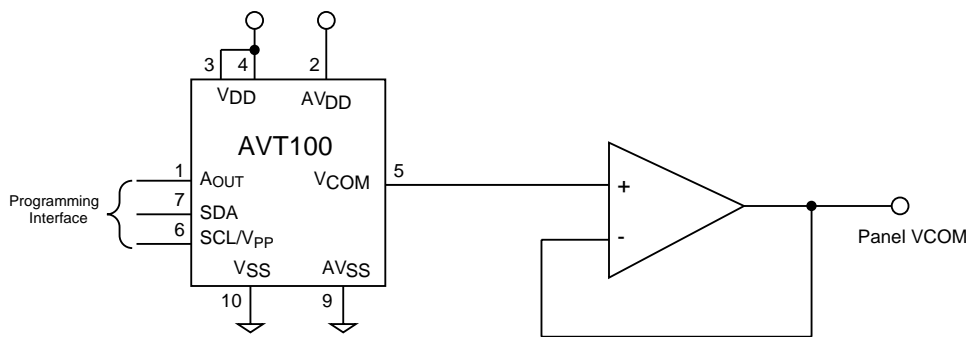
### DESCRIPTION

The AVT100 is a programmable  $V_{COM}$  reference generator that is designed to provide a simple method of calibrating  $V_{COM}$  references on LCD panels in order to reduce flicker.

The  $V_{COM}$  reference voltage is stored as an analog voltage on a proprietary nonvolatile cell. The  $V_{COM}$  voltage can be programmed to  $\pm 1\text{mV}$  on every panel, regardless of the AVDD value for that panel.

### APPLICATIONS

- LCD Panels
  - Automated Flicker Reduction
  - Facilitates Windows Vista Compliance



Typical Application

---